

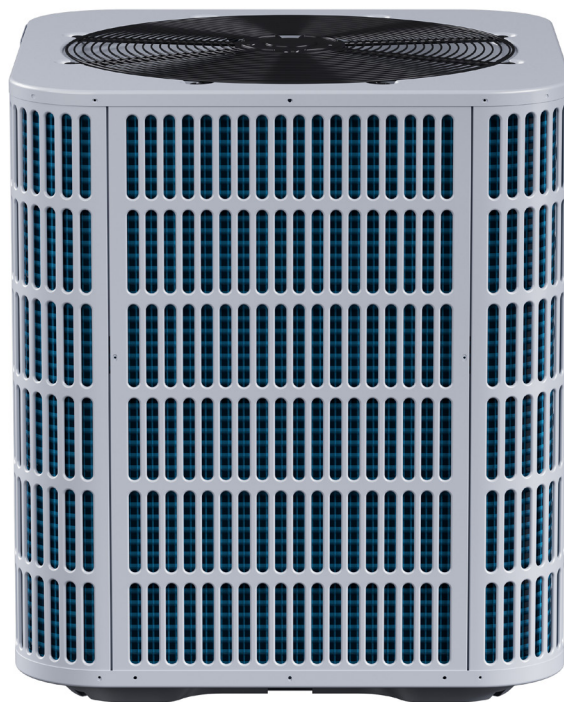
---

*Comfort-Care*® **Century**®  
SE Series

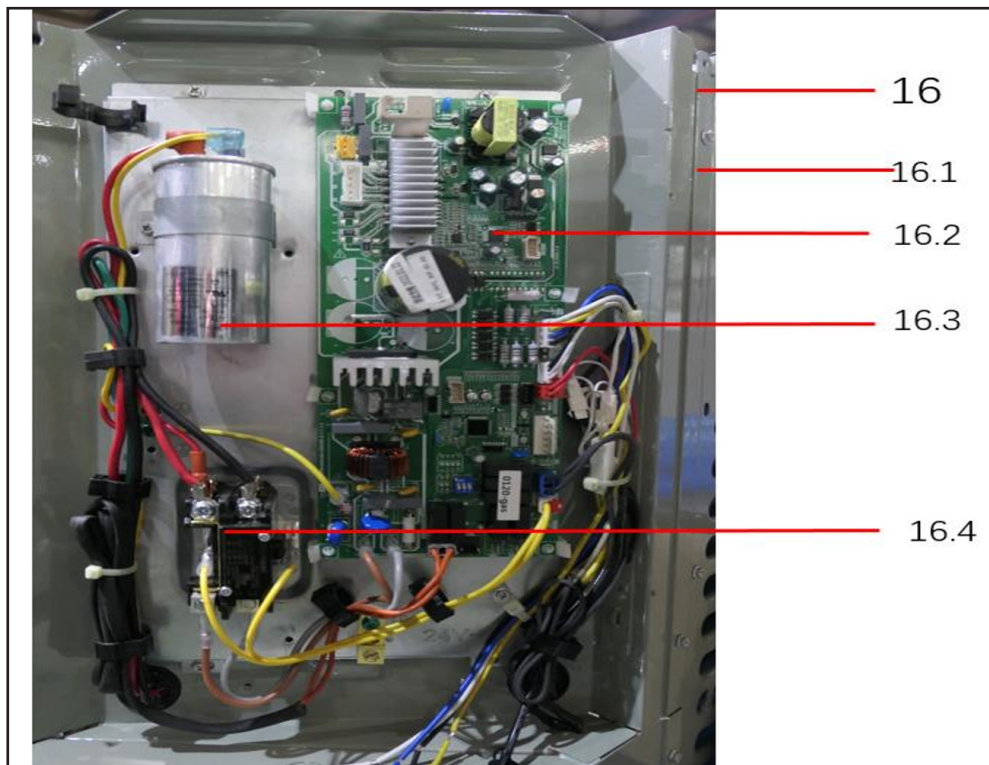
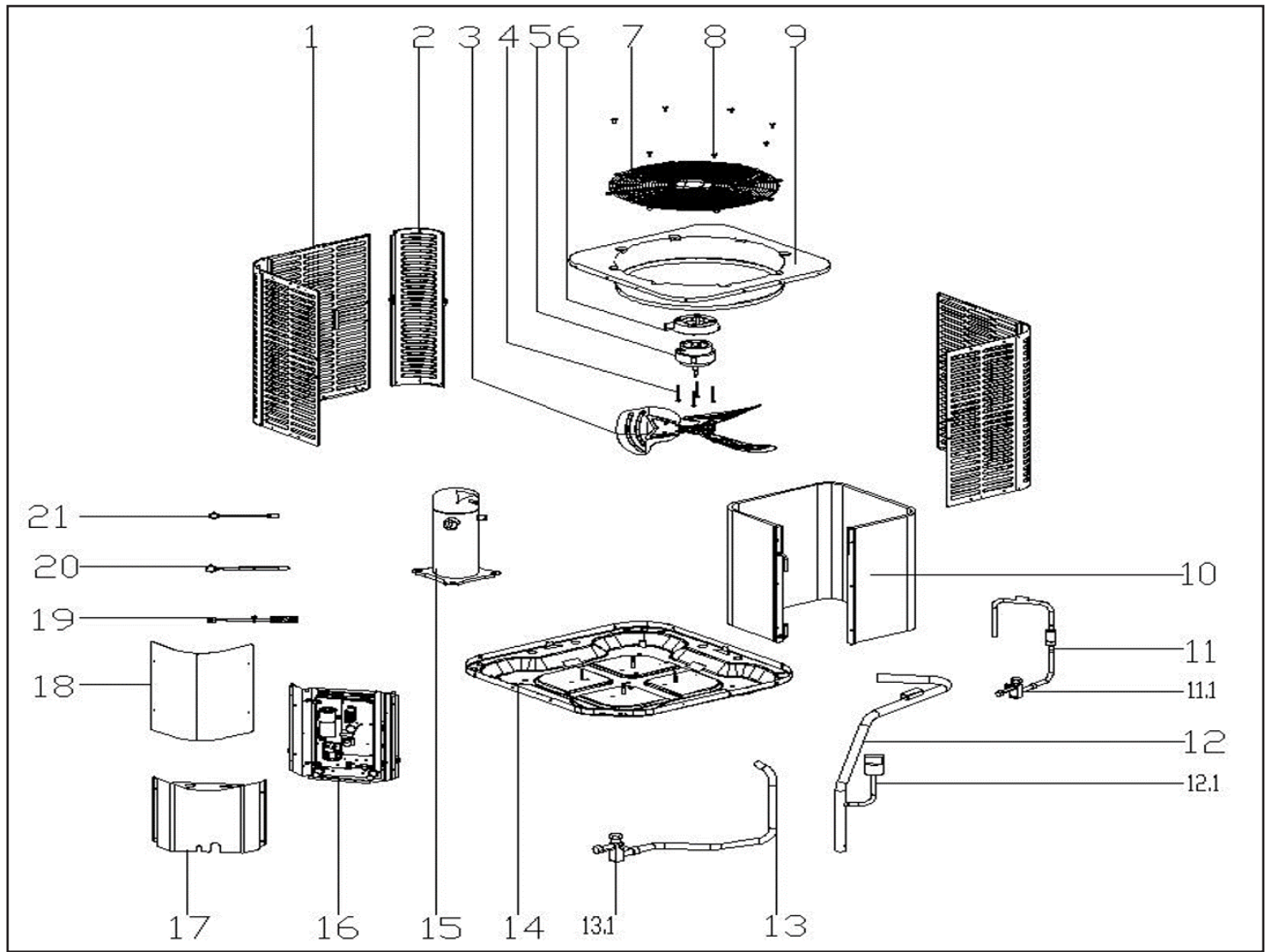
---

## Split System Air Conditioner

RSA1560S1A  
Parts List



**MARS**®



EX_ID	Spare Parts Code	Part Name(EN)	Qty.	Recommend store spare parts
1.1	12223000A02870	Side panel assembly	2	
1.2	12223000A02929	Side panel assembly	2	
2	12223000002572	Side panel assembly	3	
3	12200104000038	Fan	1	YES
4	11301805000012	Motor Mounting bolt	4	
5	11002015015328	Brushless DC Motor	1	YES
6	12123000000464	Motor installation board ass'y	1	
7	12227700003729	Top Cover	1	
8	11301002000001	Stainless steel bolts	8	
9	12223000001094	Top cover assembly	1	
10	15823000004788	Condenser ass'y	1	YES
11	15423000005739	High pressure valve ass'y	1	
11.1	15500206000018	Block valve	1	YES
12	15423000005741	Discharge pipe ass'y	1	
12.1	17400516000032	Pressure switch	1	YES
13	15423000004821	Stop valve ass'y	1	
13.1	15500206000017	Bar-Stock Service Valve	1	YES
14	12223000005894	Base assembly	1	
15	11102010001184	Fixed Speed Scroll compressor	1	YES
16	17223000008823	E-part box assembly	1	
16.1	12223000015849	Installation plate of electric parts subassembly	1	
16.2	17123000A04026	Outdoor main control board assembly	1	YES
16.3	17400103000133	Capacitor	1	
16.4	11203502000032	AC contactor	1	YES
17	16300201008027	Wooden packing support	1	
17	12223000016090	Side panel assembly	1	
18	12223000A05994	Side panel assembly	1	
19	17400513003814	Discharge Temperature switch	1	YES
20	11201007000073	Room Temperature Sensor	1	YES
21	11201007000136	Pipe Temperature Sensor	1	YES

Due to ongoing product improvements, specifications and dimensions are subject to change and correction without notice or incurring obligations. Determining the application and suitability for use of any product is the responsibility of the installer. Additionally, the installer is responsible for verifying dimensional data on the actual product prior to beginning any installation preparations.

Incentive and rebate programs have precise requirements as to product performance and certification. All products meet applicable regulations in effect on date of manufacture; however, certifications are not necessarily granted for the life of a product. Therefore, it is the responsibility of the applicant to determine whether a specific model qualifies for these incentive/rebate programs.



1900 Wellworth Ave., Jackson, MI 49203 • Ph. 517-787-2100 • [www.marsdelivers.com](http://www.marsdelivers.com)

